

# COBRA

MODEL: LRH5024V (PHT16S-5015D)

## COBRA OWNER'S MANUAL



### **Cobra Garden Machinery**

Henton and Chattell Ltd., London Road, Nottingham NG2 3HW UK

[www.cobragarden.co.uk](http://www.cobragarden.co.uk)

### **⚠ WARNING:**

For your own safety please read this manual before attempting to operate your new unit. Failure to follow instructions can result in serious personal injury. Spend a few moments to familiarize yourself with your garden tool before each use. Keep this manual in a safe place, so that the information is available at all times. If you give the equipment to any other person, hand over these operating instructions and safety regulations as well.

## CONTENTS

Safety symbols.....	3
Safety precautions .....	3
General Safety .....	4
Description of the hedge trimmer .....	8
Technical Data .....	8
Assembly .....	9
Starting and Operation .....	11
Maintenance and Care .....	12
Chainsaw attachment (optional accessory) .....	13
Troubleshooting.....	17
Warranty.....	18
Disposal.....	18
EC-Declaration.....	19

# 1. SYMBOLS & WARNINGS

Some of the following symbols used on your tool, please study them and learn their meaning, proper interpretation of these symbols will allow you to operate the tool more safely and effectively.



**Warning**



**Read the instruction manual before use**



**Eye protection must be used**



**Do not expose the tool to rain or wet conditions**



**Keep bystanders away**



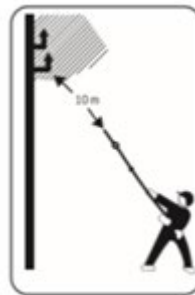
**Remove the battery before adjustment and cleaning, and if the machine is left unattended.**



**Only use the battery charger indoors**



**Always use gloves and safety goggles. Anti-skid safety shoes/boots and hard hat are recommended.**




**Never touch power supply or telephone lines. These lines conduct high voltage electricity and there is severe danger of electric shock.**

**Keep a minimum of 10m distance.**

## Safety precautions

When using the hedge trimmer, the safety instructions must be closely followed. Read this manual carefully before starting the machine. Make sure that you know how to stop and switch off the motor in case of accident. All instructions regarding safety and maintenance of the machine are for your own safety.

## 2. GENERAL SAFETY RULES

 **WARNING:** Read all safety warnings and all instructions. Failure to follow the warnings and instructions may result in electric shock, fire and/or serious injury. Save all warnings and instructions for future reference. The term “power tool” in the warnings refers to your mains-operated (corded) power tool or battery operated (cordless) power tool.

### 2.1 WORK AREA SAFETY

- a) Keep work area clean and well lit. Cluttered or dark areas invite accidents.
- b) Do not operate power tools in explosive atmospheres, such as in the presence of flammable liquids gases or dust. Power tools create sparks which may ignite the dust or fumes
- c) Keep children and bystanders away while operating a power tool. Distractions can cause you to lose control.

### 2.2 ELECTRICAL SAFETY

- a) Power tool plugs must match the outlet. Never modify the plug in any way. Do not use any adapter plugs with earthed (grounded) power tools. Unmodified plugs and matching outlets will reduce risk of electric shock.
- b) Avoid body contact with earthed or grounded surfaces, such as pipes, radiators, ranges and refrigerators. There is an increased risk of electric shock if your body is earthed or grounded.
- c) Do not expose power tools to rain or wet conditions. Water entering a power tool will increase the risk of electric shock.
- d) Do not abuse the cord. Never use the cord for carrying, pulling or unplugging the power tool. Keep the cord away from heat, oil, sharp edges and moving parts. Damaged or entangled cords increase the risk of electric shock
- e) When operating a power tool outdoors, use an extension cord suitable for outdoor use. Use of a cord suitable for out-door use reduces the risk of electric shock.
- f) If operating a power tool in a damp location is unavoidable, use a residual current device (RCD) protected supply. Use of an RCD reduces the risk of electric shock.

### 2.3 PERSONAL SAFETY

- a) Stay alert, watch what you are doing and use common sense when operating a power tool. Do not use a power tool while you are tired or under the influence of drugs, alcohol or medication. A moment of distraction while operating power tools may result in serious personal injury.
- b) Use personal protective equipment. Always wear eye protection. Protective equipment such as dust mask, non-skid safety shoes, hard hat, or hearing protection used for appropriate conditions will reduce personal injuries.
- c) Prevent unintentional starting. Ensure the switch is in the off-position before connecting to power source and/or battery pack, picking up or carrying the tool. Carrying power tools with your finger on the switch or energising power tools that have the switch on invites accidents.
- d) Remove any adjusting key or wrench before turning the power tool on. A wrench or a key left attached to a rotating part of the power tool may result in personal injury.
- e) Do not overreach. Keep proper footing and balance at all times. This enables better control of the power tool in unexpected situations.
- f) Dress appropriately. Do not wear loose clothing or jewelry. Keep your hair, clothing and gloves away from

moving parts. Loose clothes, jewelry or long hair can be caught in moving parts.

g) If devices are provided for the connection of dust extraction and collection facilities, ensure these are connected and properly used. Use of dust collection can reduce dust-related hazards.

## **2.4 POWER TOOL USE AND CARE**

a) Do not force the power tool. Use the correct power tool for your application. The correct power tool will do the job better and safer at the rate for which it was designed.

b) Do not use the power tool if the switch does not turn it on and off. Any power tool that cannot be controlled with the switch is dangerous and must be repaired.

c) Disconnect the plug from the power source and/or the battery pack from the power tool before making any adjustments, changing accessories, or storing power tools. Such preventive safety measures reduce the risk of starting the power tool accidentally.

d) Store idle power tools out of the reach of children and do not allow persons unfamiliar with the power tool or these instructions to operate the power tool. Power tools are dangerous in the hands of untrained users.

e) Maintain power tools. Check for misalignment or binding of moving parts, breakage of parts and any other condition that may affect the power tool's operation. If damaged, have the power tool repaired before use. Many accidents are caused by poorly maintained power tools.

f) Keep cutting tools sharp and clean. Properly maintained cutting tools with sharp cutting edges are less likely to bind and are easier to control.

g) Use the power tool, accessories and tool bits etc. in accordance with these instructions, taking into account the working conditions and the work to be performed. Use of the power tool for operations different from those intended could result in a hazardous situation.

## **2.5 BATTERY TOOL USE AND CARE**

a) Recharge only with the charger specified by the manufacturer. A charger that is suitable for one type of battery pack may create a risk of fire when used with another battery pack.

b) Use power tools only with specifically designated battery packs. Use of any other battery packs may create a risk of injury and fire.

c) When the battery pack is not in use, keep it away from other metal objects, like paper clips, coins, keys, nails, screws or other small metal objects, that can make a connection from one terminal to another. Shorting the battery terminals together may cause burns or a fire.

d) Under abusive conditions, liquid may be ejected from the battery; avoid contact. If contact accidentally occurs, flush with water. If liquid contacts eyes, additionally seek medical help. Liquid ejected from the battery may cause irritation or burns.

## **2.6 SERVICE**

Have your power tool serviced by a qualified repair person using only identical replacement parts. This will ensure that the safety of the power tool is maintained.

## **2.7 POLE HEDGE TRIMMER SAFETY INSTRUCTIONS**

1. The pole hedge trimmer must not be used by anyone under the age of 16.
2. Keep children, other people and pets away from the trimmer.
3. Always dress properly. Don't wear loose clothing or jewellery; they can be caught in moving parts. Use of rubber gloves and substantial footwear is recommended when working outdoors. Wear protective hair covering to contain long hair.
4. Use face or dust mask if operation is dusty.
5. Do not use the trimmer if the cutting device is not secured properly or is damaged.
6. Before starting the trimmer, make sure that the cutting blade is not touching stones or debris.
7. When the trimmer is in operation, keep the cutting section away from all parts of the body.
8. Do not cut against hard objects. This could cause injury or damage the trimmer.
9. Only cut during broad daylight or with corresponding artificial light.
10. Don't abuse cord, Keep cord from heat, oil, and sharp edges.
11. When the trimmer is not in use, store it in a dry place so that the blade is not exposed and out of the reach of children.
12. The main voltage must correspond to the one marked on the technical data plate. Do not use other sources of power.
13. Never use the trimmer when it is raining. Try to prevent it from getting wet or being exposed to humidity. Do not leave it outside overnight. Do not cut damp or wet material.
14. The power supply cable should be checked regularly. Before each use, make sure cable is not damaged or worn. If the cable is not in good condition, do not use the trimmer. Take it to an authorised service center for proper repair.
15. Switch with lock to protect against unintentional start of the pole hedge trimmer
16. Do not attempt to remove cut material or hold material to be cut when blades are moving. Make sure the trimmer switch is off when clearing jammed material from blades. Do not grasp the exposed cutting blades or cutting edges when picking up or holding the pole hedge trimmer.

**CAUTION:** Blades continue after turning off for a short moment.

17. Don't force pole hedge trimmer, it will do the job better and with less likelihood of risk of injury at the rate for which it was designed.
18. Stay alert, watch what you are doing. Use common sense. Do not operate the pole hedge trimmer when you are tired.
19. Maintain pole hedge trimmer with care, keep cutting blades sharp and clean for best performance and to reduce the risk of injury. Keep handles dry, clean and free from oil and grease.
20. Avoid over reaching whilst trimming. Keep a balanced position. Only use ladders with extreme caution, follow the guide lines associated with working at heights.

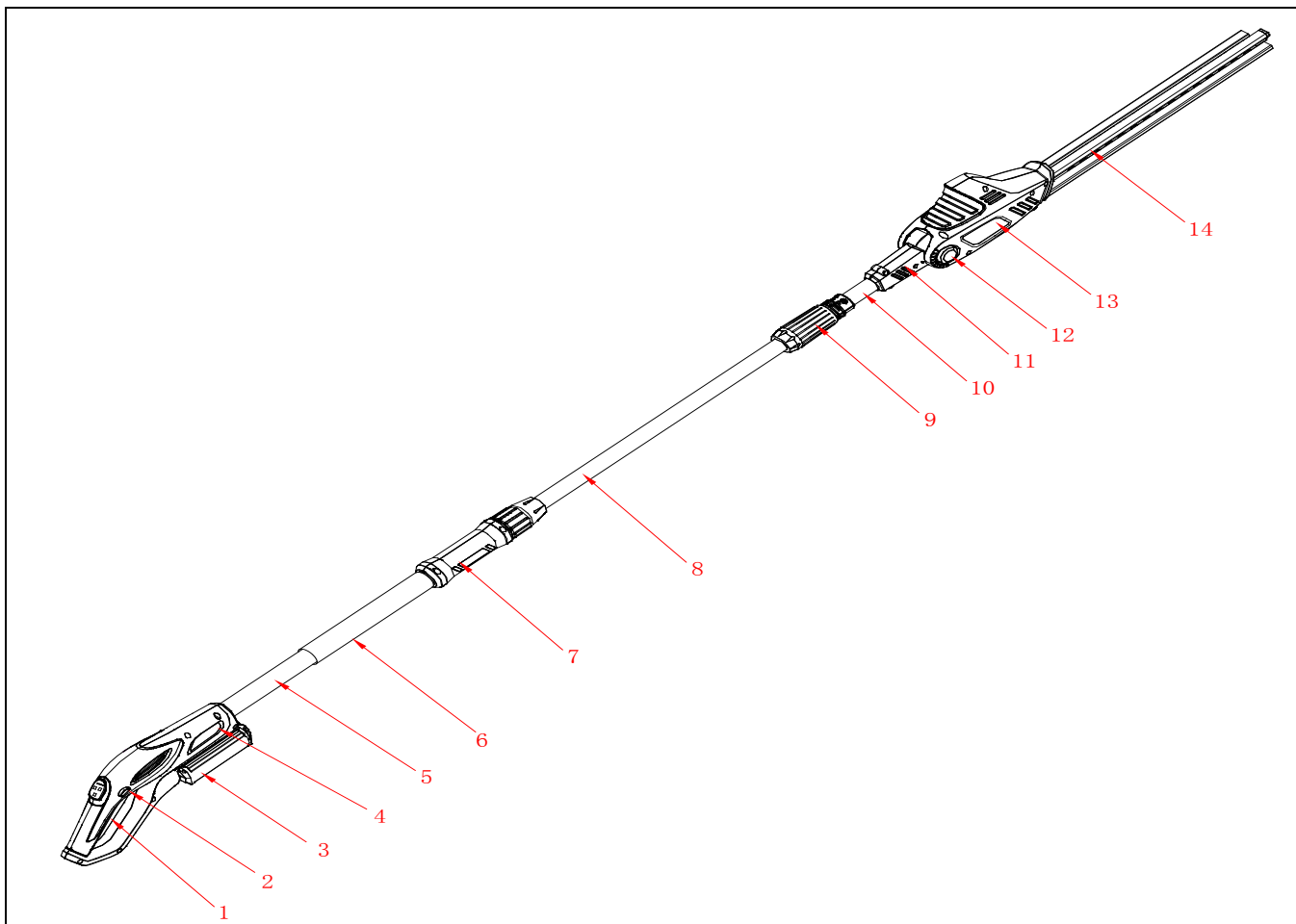
**The pole hedge trimmer is designed for trimming hedges and similar. The user bears sole responsibility for damage caused by improper use.**

**Always follow the instructions outlined.**

## **2.8 SAFETY WARNINGS FOR BATTERY CHARGERS**

1. Keep the battery charger away from rain or moisture. Penetration of water in the battery charger increases the risk of an electric shock.
2. Do not charge other batteries. The battery charger is suitable only for charging lithium ion batteries within the listed voltage range. Otherwise there is danger of fire and explosion.
3. Keep the battery charger clean. Contamination can lead to danger of an electric shock.
4. Before each use, check the battery charger, cable and plug. If damage is detected, do not use the battery charger. Never open the battery charger yourself. Have repairs performed only by a qualified technician and only using original spare parts. Damaged battery chargers, cables and plugs increase the risk of an electric shock.
5. Do not operate the battery charger on easily inflammable surfaces (e. g., paper, textiles, etc.) or surroundings. The heating of the battery charger during the charging process can pose a fire hazard.
6. Children should be supervised to ensure that they do not play with the battery charger.

### 3. GENERAL IDENTIFICATION



- |                   |                   |                           |                     |
|-------------------|-------------------|---------------------------|---------------------|
| 1.Trigger         | 5. Shaft Tube     | 9. Expand Coupler         | 13. Trimmer Housing |
| 2.Lock-off Button | 6. Soft Foam Tube | 10. Straight Tube         | 14. Scabbard        |
| 3.Battery         | 7.Front Handle    | 11. Trimmer body          |                     |
| 4.Back hand       | 8.Telescopic Tube | 12. Angle Adjuster Button |                     |

### 4. TECHNICAL DATA

Model:	LRH5024V
Rated voltage:	24V DC
No Load Speed	Turbo 1300-1500r/min Eco 1100-1350r/min
Cutting length	500mm
Cutting width	15mm
Net weight:	3.56kg
Battery:	24v 2Ah



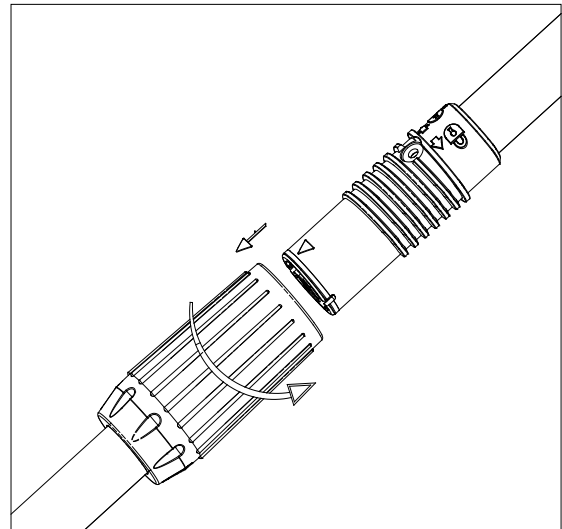
## 5. ASSEMBLY

**⚠ WARNING:** Switch off and remove the battery from machine before adjusting or cleaning. The blades continue to move for a fraction of a second after the hedge trimmer is switched off. Do not touch the moving blades.

### 5.1 ATTACHING THE HEDGE TRIMMER

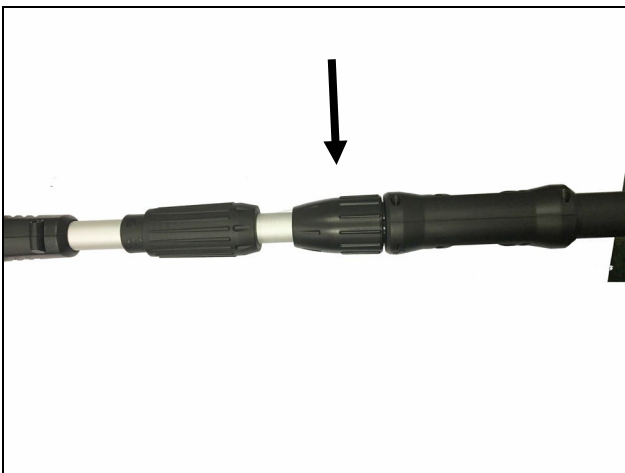
The battery should be removed before proceeding:

Insert the hedge trimmer attachment into the main shaft of the tool. Align the arrows on each shaft. The electrical connectors within the shafts will locate.



Tighten the collar of the main unit, locking the two shafts together.

### 5.2 ADJUSTING THE LENGTH



Rotate the collar indicated opposite counter-clockwise to loosen the lock on the shaft.

Adjust the length as required, then secure in position by rotating the collar clockwise.

Do not extend the length such that the handle will be above waist height.

**Make sure the shaft is locked in place and safe to use before proceeding.**

### 5.3 INSERTING THE BATTERY

The battery is supplied from the factory partly charged. Before using the tool for the first time, charge the battery for a minimum 5 hours. Thereafter the normal charging time is 2 to 3 hours.

Insert the battery as shown opposite. The battery will firmly locate with a click sound.

#### Removing battery pack:

Release the battery pack by pressing the lock/release button with one hand and pull out the battery with the other hand.

### 5.4 REMOVING BLADE COVER

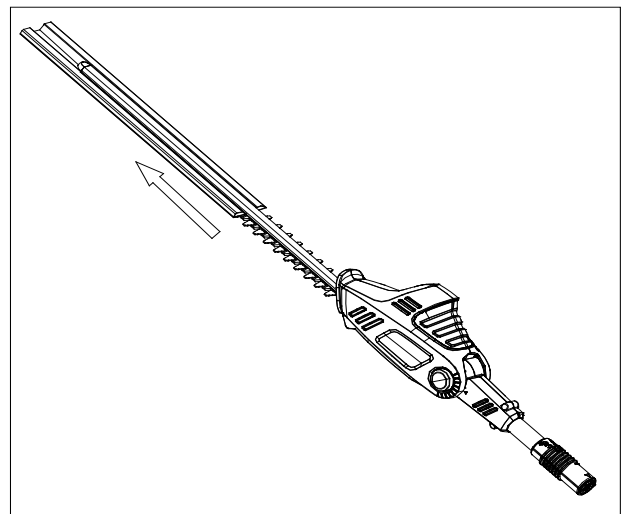
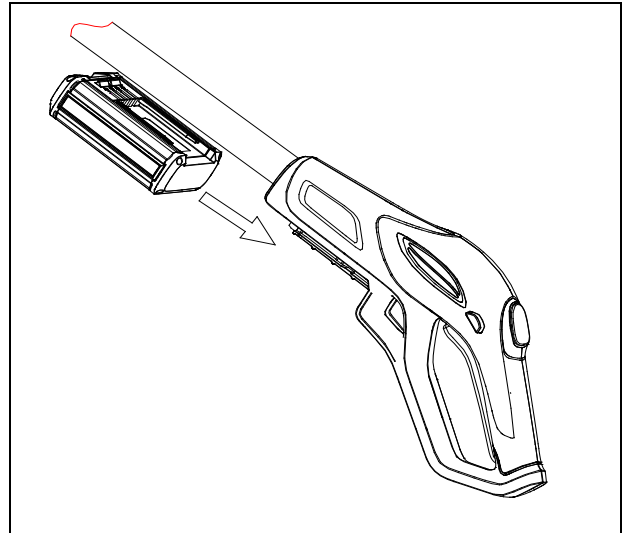
Before use remove the blade cover. Take care when removing the blade cover – use gloves to protect your hands.

After use:

After using the hedge trimmer, wearing gloves, clean the blades, apply lubricating oil to prevent rusting and replace the protective blade cover, as shown above.

### 5.5 BATTERY PRECAUTIONS

1. Never open the battery.
2. Never expose the battery to open fire.
3. Use only an original battery. An alternative battery can damage the hedge trimmer.
4. Rated charge voltage: 100V~240V, 50Hz/60Hz.
5. Use only the original charger, an alternative charger can damage the battery.
6. After long periods of using the hedge trimmer, the battery can become warm. Allow it to cool off before it is charged again.
7. Keep both charger and battery away from children.
8. Store the battery below 40° and above 10° C.
9. Never short-circuit the poles of the battery.



10. Do not use the charger in an environment where there are toxic fumes or flammable liquids.

11. Only use the charger indoors.

Start charging the battery for a minimum of 5 hours before using the machine the first time. Thereafter the normal charging time is approximately 2 to 3 hours.

The battery will stop charging when it is full. But it is recommended to disconnect the charger once charged. The battery may be charged at any point, even if it is not completely empty.

During charging, the red LED indicator on the charger will flash. When the battery is full the LED will stay illuminated. When charging, the surface of the battery will be warm. This is perfectly normal. Store the battery fully charged.

**Important:**

To protect the battery against deep discharging, when the battery charge is low, the hedge trimmer will automatically switch off via a protective circuit. The hedge trimmer will stop.

Do not continue to press the on/off switch after an automatic shut-off of the hedge trimmer. The battery may be damaged if excessively discharged. Recharge the battery before continuing to use the hedge trimmer.

## 6. STARTING AND OPERATING

**Step 1:** Firstly press the power key (Source) until the “ECO” light is illuminated;

**Step 2:** Pre the lock (1) then press down the handle trigger (2), the blades will operate at a low speed;

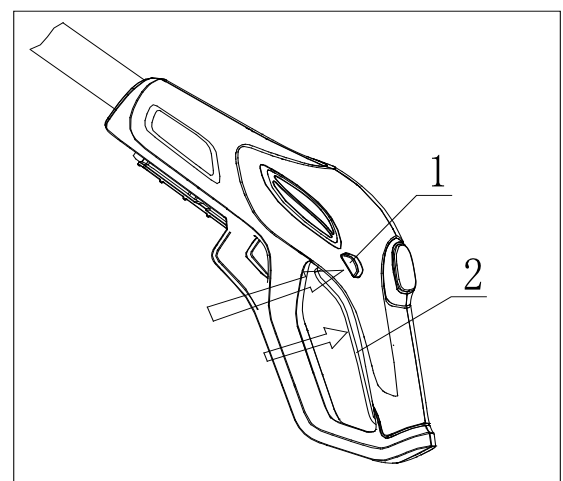
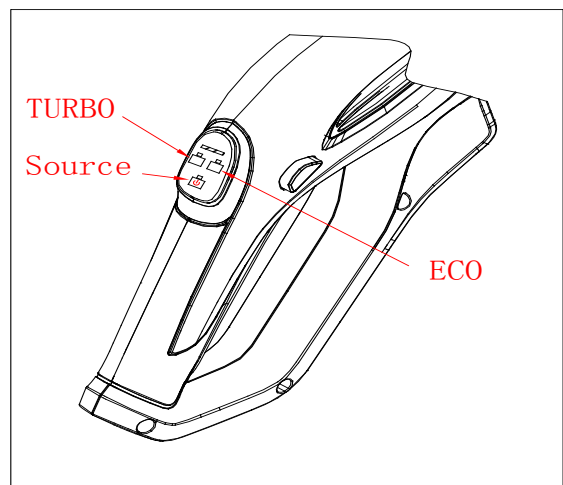
**Step 3:** If you want to change from the low speed position to high speed position , press the “TURBO” button. The hedge trimmer will now operate at high speed.

To switch back to the slower speed press the “ECO” button.

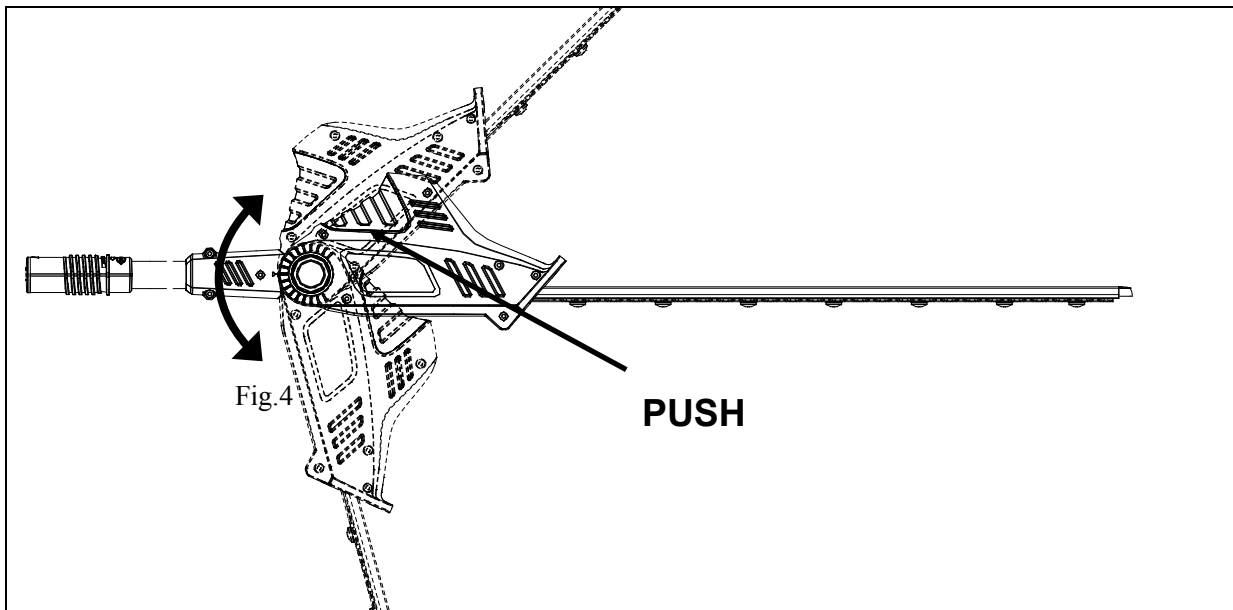
**Please Note:** When releasing the switch and the motor stops, there may be a small spark visible from the motor housing. The spark is caused by the motor brake engaging.

The best cutting effect is achieved when holding the blade at an angle to the hedge of approx. 15°. The opposite rotating knives cut on both sides, and it is therefore possible to trim the hedge in both directions.

The sides of the hedge are trimmed using curve shaped movements from the bottom and upwards.



## 6.1 CHANGING THE TRIMMING ANGLE



The hedge trimmer cutting head angle can be adjusted by pressing the button as shown above. Release the button and the head will lock in position.

**Caution: Wear gloves and hold the attachment whilst pressing the release button. Do not hold the blades.**

## 7. MAINTENANCE AND CARE

For your safety and storage, please fit the cutting blade guard after use.

**⚠ WARNING:** Switch off and remove the battery from the machine before adjusting or cleaning. For safe and proper working, always keep the garden product clean.

Note: To ensure long and reliable service, carry out the following maintenance regularly.

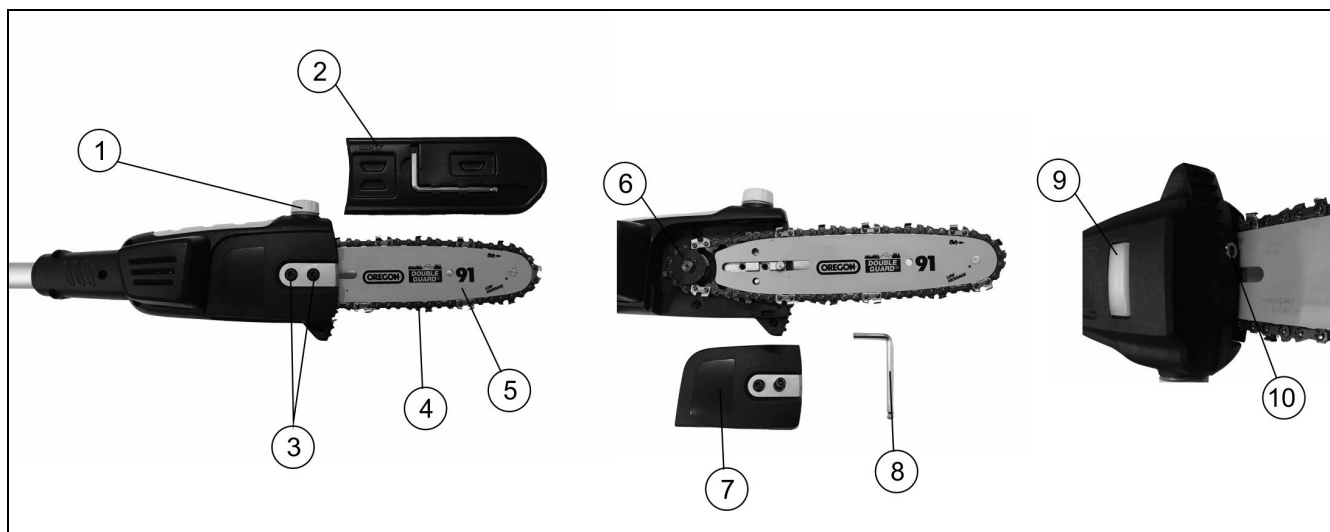
1. If the garden product should happen to fail despite the care taken in manufacture and testing, repair should be carried out by an authorized customer service agent for Cobra products.
2. Use only manufacturer's recommended replacement parts and accessories

**⚠ WARNING:** Switch the machine off and remove the battery. Remove the battery before storage.

1. Clean the exterior of the machine thoroughly using a soft brush and cloth. Do not use water, solvents or polishes. Remove all debris, especially from the ventilation slots of the motor.
2. Always lubricate the cutting blade with a lubricating spray periodically and before storage.
3. Store the hedge trimmer in a secure, dry place out of the reach of children. Do not place other objects on top of the machine.
4. The battery should be stored between 0 ° C and 50 ° C.

## 8. CHAINSAW ATTACHMENT (OPTIONAL)

### 8.1 PARTS DESCRIPTION



- |                     |                      |                        |
|---------------------|----------------------|------------------------|
| 1. Chain filler cap | 5. Chain bar         | 9. Chain oil tank      |
| 2. Chain cover      | 6. Chain drive gear  | 10. Chain tension bolt |
| 3. Bolts chain bar  | 7. Chain drive cover |                        |
| 4. Chain            | 8. Allen key         |                        |

### 8.2 SAFETY PRECAUTIONS

1. Study this manual thoroughly
2. Familiarise yourself with the operation of the long reach chainsaw attachment (pole saw) and learn to use it properly.
3. Never allow others (especially children) who have not read the manual to use the machine.
4. Check the chain oil level before each use. Never use the pole saw without oil in the tank or when the amount of oil is low.
5. Check the condition of the guide bar, saw chain, fasteners and safety components before each use. Replace excessively worn or missing parts.
6. Do not turn on the machine if the chain side cover is not installed or when the guide bar is damaged or missing.
7. Never expose the pole saw to rain or moisture. Never allow water or other liquids to enter the machine.
8. Do not operate the pole saw in environments with flammable items such as liquids, gases or dust. The sparks generated by the operation of the machine can cause an explosion.
9. Do not start cutting until the work area is clear and cleaned properly. Keep the work area clean and tidy to reduce the risk of accidents.
10. During the first use, it is recommended that the user be accompanied by a person experienced using pole pruning saws.

11. Operate the pole saw only in daylight or good artificial lighting.
12. The use of power equipment can be regulated. Remember to comply with legal regulations which may differ from one location to another.
13. Do not use the machine if you are tired or ill. Also avoid use if you have consumed alcohol or taken drugs. A moment of inattention can result in serious injury.
14. Wear close-fitting clothing of good quality to help protect yourself from cuts. Always wear long trousers, sturdy non-slip shoes, and protective equipment such as gloves, goggles, a helmet with a visor and acoustic shield.
15. Make sure the trigger switch is turned off before carrying or transporting
16. Do not allow anyone to remain in the working area of the pole saw during use. Keep people, children and animals away from the work area. If it is group work, keep sufficient distance between people.
17. Make sure that the handles are clean and dry. When the machine is running, always firmly grip the tube with your left hand and the rear handle with your right hand.
18. Always work in a stable position, on balanced and firm ground. Do not work on slippery or unstable ground. Choose a safe place for branches to fall.
19. Hold the saw firmly with both hands. Put yourself in a position that allows you to withstand the forces of kickback. Never let go of the pole saw
20. Do not saw with the tip of the saw guide bar.
21. During cutting, some tension on wood may be released suddenly and cause sudden or hazardous releases.
22. Never operate a damaged machine repaired poorly, poorly fitted or changed arbitrarily
23. Do not overload the machine. Always use the proper equipment for the job.

**WARNING: To reduce the time of exposure to vibration and noise, it is preferable to use the machine with frequent breaks and limiting the duration of continuous work.**

**WARNING: The vibration level during actual use of the chainsaw may differ from the declared depending on what material is being cut with different factors such as stem diameter density and fiber composition to name a few.**

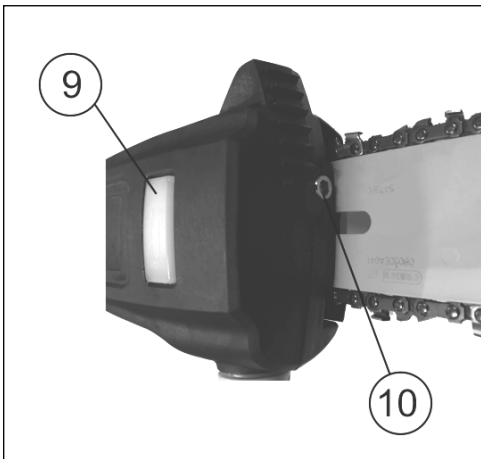
### **8.3 AFTER USE INSTRUCTIONS**

1. Only carry the pole saw when it is switched off and completely stopped. Hold the machine by the front handle, the guide bar turned back and the protective scabbard (chain cover) in place.
2. Always follow the instructions provided for maintenance. After each use, check the operation of safety devices, setting, tension and condition of parts. Maintain unit correctly. Replace worn or damaged parts.
3. The pole saw should be serviced by an authorised Cobra Service Agent. For safety reasons, use only original spare parts approved by Cobra Garden.
4. Keep the pole saw clean and always store in a dry place with the protective scabbard in place. Store power tools in a place out of reach of children.
5. Keep this manual safe and consult it whenever you use the machine.

**Unauthorised modification to the machine can be dangerous and lead to severe injury during use. Cobra Garden disclaims any liability in case of misuse or failure to comply with the instructions and / or regulations in place.**

## **8.4 ASSEMBLY AND OPERATING**

1. Fit the chainsaw attachment into the main shaft– See the prior section 5.1
2. Check the chain oil reserve – add chain oil as required. Never operate without chain oil.
3. Check and adjust the chain tension. Always wear heavy duty safety gloves, the tool should be switched off and the battery removed before proceeding:



The chain should not be overtightened but allow the chain to freely move on the chain bar. The chain must not be loosely fitted either.

To check the chain tension, pull the chain by hand in the direction of rotation. If the chain will not move, slacken the chain cover bolts (3), adjust the chain tension bolt (10). Repeat the previous steps.

The chain cover bolts (3) allow the chain tension to be adjusted with the chain tensioner bolt (10). Always tighten and secure the cover bolts (3) before operating the tool.

4. Switch the tool on – see section 6
5. Safely check the chain stops quickly when the trigger is released.
6. The tool should be ready to work. Continue to check the chain oil tank and chain tension, refill and tension as necessary. Follow all safety instructions.

## **8.5 CLEANING, STORAGE, TRANSPORTATION & MAINTENANCE**

Before any work on the pole saw, switch off and remove the battery.

1. Regular cleaning after use will ensure better functioning of the pole saw and reduce the risk of corrosion or rust.

**CAUTION: Never immerse the electric pole saw in water or any other liquid for cleaning. Never clean the appliance with high pressure water.**

After stopping the device and allowing it to cool, remove the cutting debris accumulated under the cover by blowing with compressed air or cleaning with a brush. If necessary, wipe it with a soft damp cloth. Wear safety gloves.

2. Store your pole saw in a dry, temperate and dark place. Store in a place out of reach of children.
3. For long term storage, drain the oil tank and grease the chain and chain guide beforehand.
4. Only carry the pole saw with the battery removed and completely stopped. Hold the unit by the front handle, with the guide turned back and the protective scabbard in place
5. Maintenance of the pole saw. Lubricating the chain. This saw is equipped with an automatic chain lubrication system. Regularly check the oil level. To initiate the supply of oil on the chain, run the saw near the ground on full revs and look for a stream of oil on the bar and chain or the ground below.
6. Sharpening the chain: For best results, sharpen the chain regularly, if at least once a year by a specialist workshop.

**Note: A low oil level or a cutting with a dull chain can reduce cutting performance quickly.**



## 9. TROUBLESHOOTING

The following chart lists problem symptoms, possible causes and corrective action, if your garden product does not operate properly. If these do not identify and correct the problem, contact your service agent.



**WARNING:** Switch off and remove the battery prior to any troubleshooting.

Fault	Remedial action
Hedge trimmer does not operate	Recharge the battery Ensure both locking levers / switches are engaged
Hedge trimmer operates intermittently	Ensure both locking levers / switches are engaged Contact Service Agent
Motor runs but blades remain stationary	Contact the Service Agent
Cutting blade hot	Have blade sharpened Have blade inspected / overhauled Apply lubricant spray
Blade will not move	Recharge battery or Contact Service Agent
Excessive vibrations / noise	Contact the Service Agent
Cutting time per battery charge too low	Apply lubricant spray Clean the blade Recharge battery

## 10. WARRANTY

This product is warranted in accordance with legal regulations for a 24 month period effective from the date of purchase by the first user.

This product will not be covered if used in a commercial application.

This warranty covers all material or production failures, it does not include: defects from normal wear and tear, parts such as, bearings, brushes, cables, air cleaning elements, brake pad, clutch disc, tyre, wheel, recoil starter rope, belts, cutter blades, plugs, lubricant oils and grease or accessories. Damage or defects resulting from abuse, accidents or alterations, natural fading of painted or plated surfaces, sheet peeling and other natural deterioration.

Any damage that occurs from the use of non-genuine Cobra parts will not be covered.

We reserve the right to reject any claim where the purchase cannot be verified or when it is clear that the product was not maintained properly. (Clean ventilation slots, carbon brushes and serviced regularly)

Expenses incidental to the warranty claim that are not covered;

-Compensation for loss of time, commercial loss or rental costs of substitute product.

-Costs incurred for transportation to and from the dealership.

Any damage that occurs from the following will not be covered; exposure of the product to smoke and soot, chemical agents, bird droppings or other animal waste, seawater, sea breeze, salt or other environmental phenomena.

Any damage resulting from operating methods other than those indicated in the owner's manual will not be covered.

Your purchase receipt must be kept as proof for date of purchase. Your un-dismantled product must be returned to your dealer in an acceptably clean state, accompanied by your proof of purchase.

### **Please Register Your Product:**

If your dealer did not collect registration information from you, please take a few minutes and register your purchase with Cobra.

You can register by completing and mailing the registration card that should be in the box or by going online to: [www.cobragarden.co.uk](http://www.cobragarden.co.uk) and clicking on Product Registration.

Before using the garden machinery, all operators must read this manual


## 11. ENVIRONMENTALLY FRIENDLY DISPOSAL



According to EU directive 2012/19/EU on electric and electronic equipment and its implementation into national law, all electric tools must be separately collected and environmentally friendly recycled. Alternative disposal: If the owner of the power tool does not return the tool to the manufacturer, he is responsible for proper disposal at a designated collection point that prepares the device for recycling according to national recycling laws and regulations.



## 12. EC-DECLARATION OF CONFORMITY

We herewith declare,	Cobra Garden Machinery, Henton & Chattell Ltd, London Road, Nottingham NG2 3HW UK
That the following machine complies with the appropriate basic safety and health requirements of the EC Directive based on its design and type, as brought into circulation by us.	
In case of alteration of the machine, not agreed upon by us, this declaration will lose its validity	
Product	Cordless Hedge Trimmer
Machine Type:	LRH5024V (PHT16S-5015D)
Rated voltage	24V d.c
Cutting length:	500mm
Measured sound power level:	91.1dB(A)
Guaranteed sound power level:	96dB(A); Notified Body for EC Directive 2000/14/EC:0036 Intertek Testing Services Shanghai, Building no. 86, 1198 Quinzhou Road (North) Shanghai.
Applicable EC Directives:	EC Directive of Electromagnetic Compatibility 2014/30/EU EC Machinery Directive 2006/42/EC EC Directive of noise emission 2000/14/EC
Applicable Harmonized Standards:	EN 60745-1 EN 60745-2-15 EN 55014-1 EN 55014-2
Authorized Signature/Date/ Place:	 Peter J. Chaloner 19/4/2019
Title of Signatory:	Managing Director
Name and address of the person authorized to compile the technical file	Cobra Garden Machinery, Henton & Chattell Ltd, London Road, Nottingham NG2 3HW UK